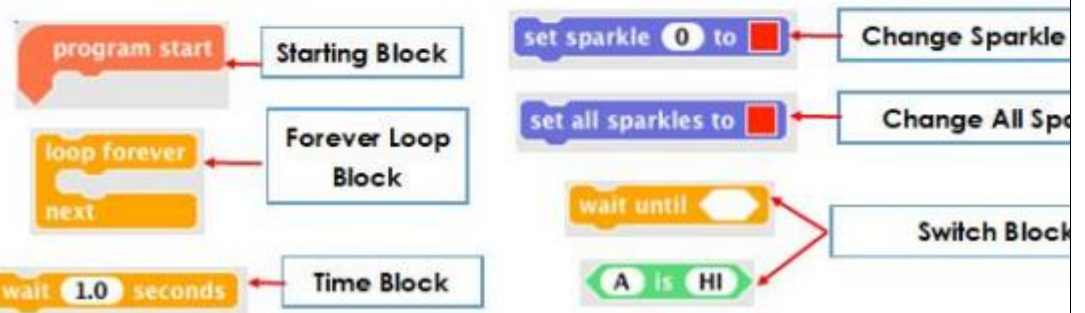
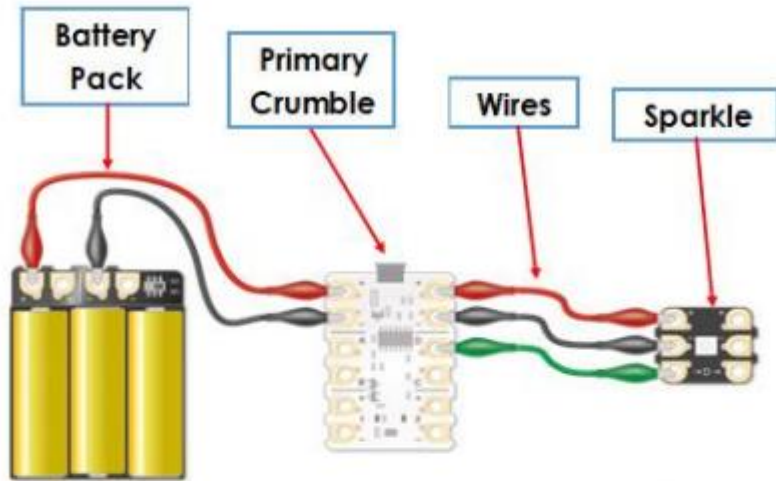
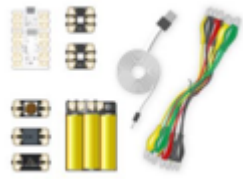


What is a crumble Controller and how do we use one?



Key knowledge

- Know how to use a crumble controller
- Know how to program an simple computer
- Know how to use a simple computer to solve a problem

Vocabulary

Loop, infinite, port, micro, USB, hardware, software, repeat, component,

Skills		
<ul style="list-style-type: none"> <li>● I can connect more than one output component to a microcontroller</li> <li>● I can use a count controlled loop to control outputs</li> <li>● I can design sequences that use count controlled loops</li> </ul>		